

- 体积小、功率大 Compact size, large power
- 轴的尺寸和轴端可按用户要求供货  
Bespoke shaft dimension and shape available upon request
- 适用于电工及无线电装置中，作分压和可变电阻使用  
Widely used in electrics and radio equipment, as voltage divider and variable resistor

**WX903 功率型线绕电位器**  
**WX903 Power type, wirewound potentiometer**

■ **适用标准 Applicable Specifications**

- GB/T15298-94 电子设备用电位器 第一部分：总规范
- RU0.468.044JT WX903 功率型线绕电位器详细规范

■ **电特性 Electrical Characteristics**

- 标称阻值范围 Range of nominal resistance: 15Ω~2KΩ
- 阻值允许偏差 Tolerance: ±10%
- 绝缘电阻 Insulation resistance:  $R_i \geq 1G\Omega$  (500V<sub>DC</sub>)
- 耐电压 Dielectric withstand voltage: 1000V<sub>AC</sub>, 1min

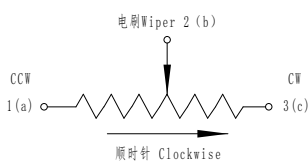
■ **环境特性 Environmental Characteristics**

- 额定功耗 Rated power: 12.5W @ 85°C, 0W @ 250°C
- 温度范围 Temperature range: -55°C~250°C
- 温度变化 Change of temperature: -55°C, 30 mins, 250°C, 30 mins, 3 cycles  
 $\Delta R \leq \pm 2\%R, R_i \geq 500M\Omega$
- 稳态湿热 Damp heat, steady state: 40±2°C, RH:(90~95)%, 48h  
 $\Delta R \leq \pm 2\%R, R_i \geq 200M\Omega$   
电气接触可靠, stable electrical contact
- 振动 Vibration: 10 Hz~500Hz, 98m/s<sup>2</sup>, 0.5h  
WX903-1  $\Delta R \leq \pm 3\%R$ , WX903-2  $\Delta R \leq \pm 2\%R$   
无电气间断, 无机械损伤  
(No electrical discontinuity, no mechanical damage)
- 冲击 Shock: 250m/s<sup>2</sup>, 18 times  
WX903-1:  $\Delta R \leq \pm 3\%R$ , WX903-2:  $\Delta R \leq \pm 2\%R$   
无机械损伤(no mechanical damage)
- 离心 Centrifugal: 250m/s<sup>2</sup>, 15mins  
WX903-1:  $\Delta R \leq \pm 3\%R$ , WX903-2:  $\Delta R \leq \pm 2\%R$   
无机械损伤(no mechanical damage)
- 碰撞 Collision: 400m/s<sup>2</sup>, 4000 times, 6ms, 40~80times/min  
WX903-1:  $\Delta R \leq \pm 3\%R$ , WX903-2:  $\Delta R \leq \pm 2\%R$   
无机械损伤(no mechanical damage)
- 机械耐久性 Mechanical endurance: 12.5W, 1000 times

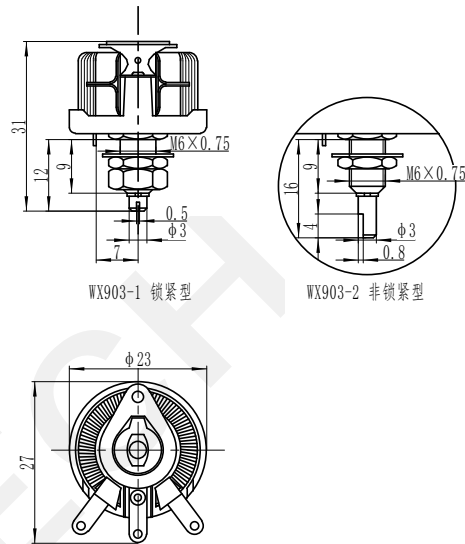
■ **物理特性 Physical Characteristics**

- 总机械行程 Total mechanical travel: 300°±10°
- 启动力矩 Stating torque: 10mN.m~100 mN.m
- 止档力矩 Stop torque: ≤150 mN.m
- 标志: 型号、标称阻值、制造厂商标、制造年月、阻值允许偏差  
Marking: Type, Rated resistance, trade mark of the manufacturer, Date, Tolerance
- 标准包装 Standard package: 10 只/盒 10 pcs/box

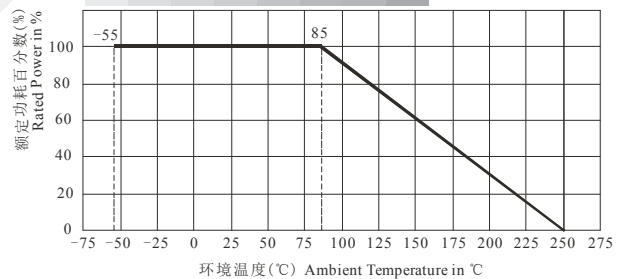
■ **电路图 Circuit Diagram**



■ **外形尺寸图 Dimensions**



■ **降功耗曲线 Derating**



■ **标称阻值表**

**Nominal Resistance Table**

阻值 (Ω) Resistance		
15	82	470
18	100	560
22	120	680
27	150	820
33	180	1K
39	220	1.2K
47	270	1.5K
56	330	1.8K
68	390	2 K

■ **订货指南 Ordering Information**

**WX903-1 – 150Ω – K**

型号 Type – 标称阻值 Rated Resistance – 允许偏差 Tolerance

线绕电位器

Specifications are subject to change without notice.

